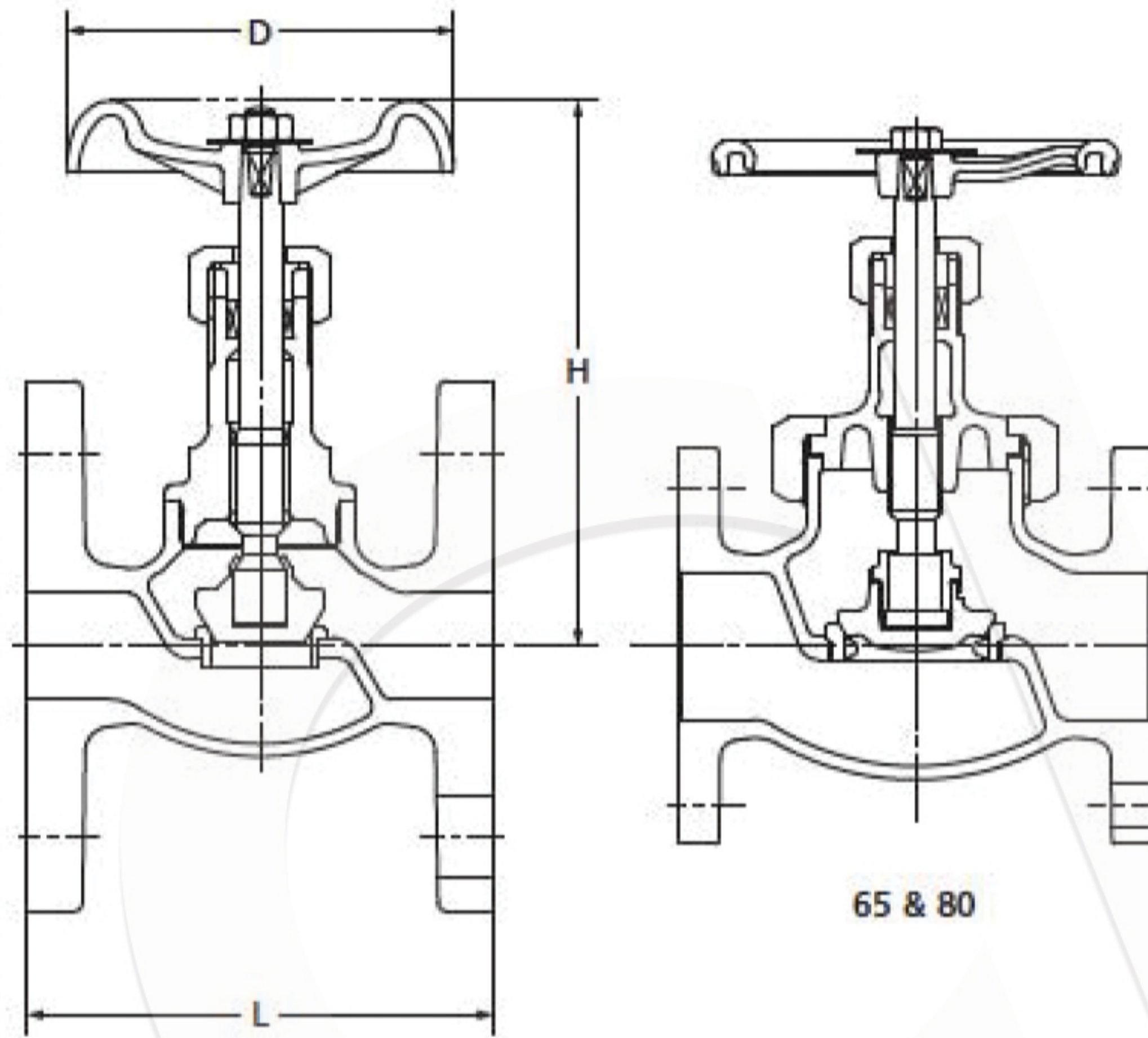


10K Globe Valve

10SJBF
S.B.I.S. or U.B.I.S.
FF-flanged



S.B.I.S. for 50 & smaller
U.B.I.S. for 65 & 80



Face to face : JIS B 2011 *
End connection : JIS B 2239 10K
* KITZ Std. for 15

120°C Static water..... 1.4MPa
220°C Steam, air, gas, oil..... 1.0MPa

● Use for lubricating or hydraulic oil is acceptable. Contact KITZ Corporation for technical advice, if valves are used as heat transfer media.

Materials

Parts	JIS material
Body	FCD-S
Bonnet	FCD-S
Stem	SUS420J2
Disc	SUS403
Body seat ring	SUS403
Gland	SUS420J2 (32,65 & 80 : SUS403)
Gland packing	Non-asbestos Packing
Packing nut	FCD-S
Handwheel	FCD450 (65 & 80 : FCD400)
Wheel nut	SS400
Gasket	Stainless Foil Inserted Flexible Graphite
Bonnet ring	FCD-S (65 & 80)
Name plate	A1050P

Dimensions

Size	mm	10	15	20	25	32	40	50	65	80	mm
	inch	3/8	1/2	3/4	1	1 1/4	1 1/2	2	2 1/2	3	
L		85	85	95	110	130	150	180	210	240	
H (open)		108	122	125	146	160	180	198	250	280	
D		60	70	80	90	100	115	135	180	225	

NOTE : For flange dimensions, refer to Page 44. ※RF-flanged ends shall be optionally available.